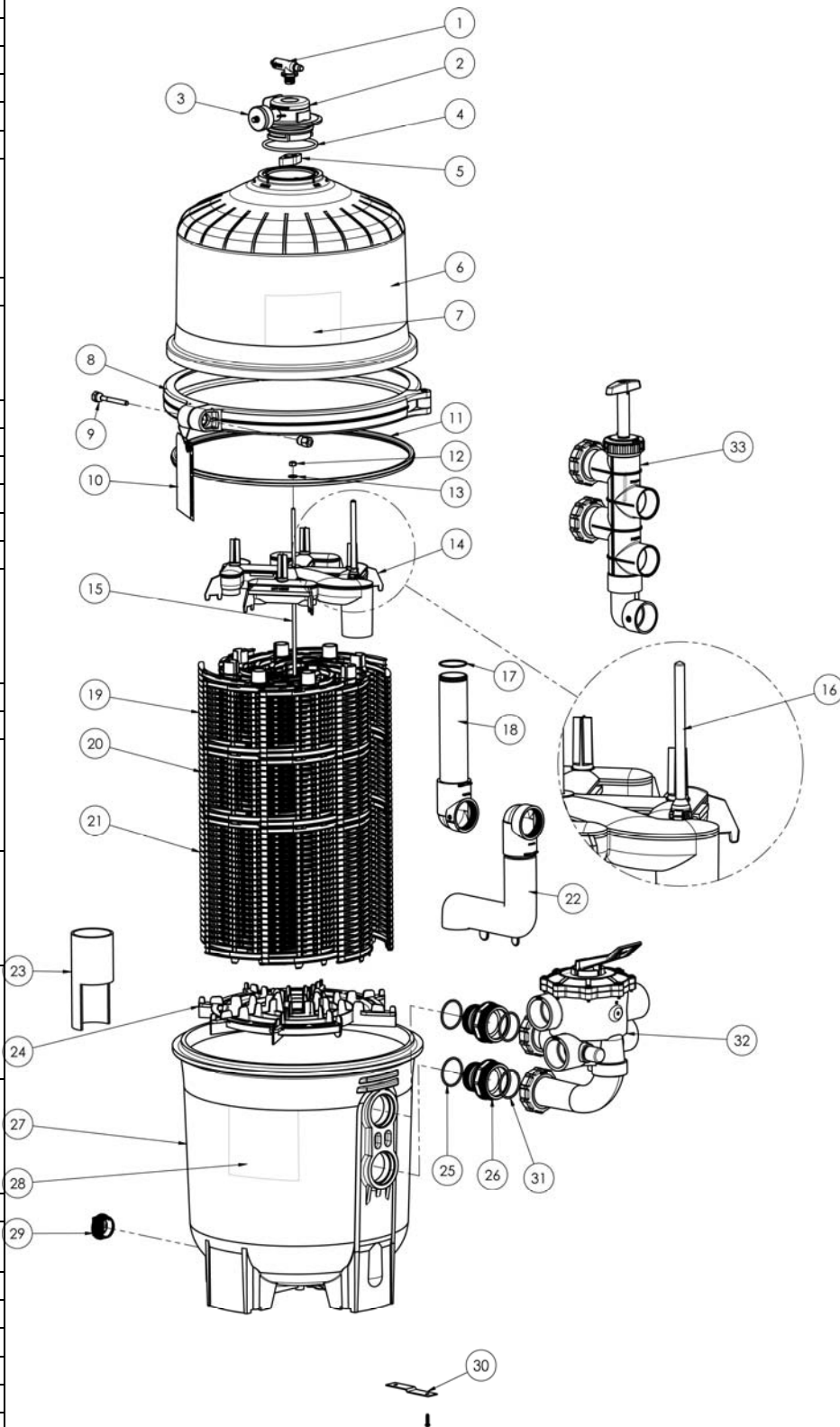


ITEM	Part No.	Description
1	CCX1000V	Manual Air Relief w/O-ring
2	DEX2420MAR2	Manual Air Relief Assembly
3	ECX2712B1	Pressure Gauge
4	DEX2420Z8A	O-Ring Kit (Set of 2)
5	CCX1000N	Manual Air Relief Nut
6	DEX2420BT DEX3620BT DEX4820BT DEX6020BT DEX7220BT	Upper Filter Body DE2420 Upper Filter Body DE3620 Upper Filter Body DE4820 Upper Filter Body DE6020 Upper Filter Body DE7220
7	DEX2420LA6PAK	Label Pack*
8	DEX2421JKIT	Clamp System including: Clamp, Clamp nut and Bolt, Hang tag, Metal Reinforced Seal and Labels
9	DEX2421J2	Clamp Bolt and Nut
10	DEX2420LA6PAK	Label Pack*
11	DEX2422Z2	Metal Reinforced Seal
12	ECX176865	Retainer Nut 5/16"-18
13	ECX1109	Washer (2 Required)
14	DEX2400C	Top Collector Manifold
15	DEX2400R DEX3600R DEX4800R DEX6000R DEX7200R	Retainer Rod DE2420 Retainer Rod DE3620 Retainer Rod DE4820 Retainer Rod DE6020 Retainer Rod DE7220
16	DEX2400CR	Flex Air Relief Assembly
17	DEX2400Z5	Outlet Elbow O-ring
18	DEX2420EA DEX3620EA DEX4820EA DEX6020EA DEX7220EA	Outlet Elbow DE2420 Outlet Elbow DE3620 Outlet Elbow DE4820 Outlet Elbow DE6020 Outlet Elbow DE7220
19	DEX2420DC DEX3600DC DEX4800DC DEX6000DC DEX7200DC	Filter Element Cluster Assembly (Complete set of elements, collectors, Locators, Manifold, ect.
20	DEX2400DA DEX3600DA DEX4800DA DEX6000DA DEX7200DA	Filter Element (7 Required)
21	DEX2400DS DEX3600DS DEX4800DS DEX6000DS DEX7200DS	Filter Element Short (1 Required)
22	DEX2420GA	Inlet Diffuser
23	DEX2420T	Element Spacer (DE2420 Only)
24	DEX2400H	Filter Element Locator
25	SX220Z2	Bulkhead O-Ring (2 Req.)
26	DEX2420F	Bulkhead Fitting (2 Req.)
27	DEX2420AT	Lower Filter Body
28	DEX2420LA6PAK	Label Pack*
29	SP1022C	1 1/2" Drain Plug w/ O-Ring
30	DEX2420DCKIT	Strap Kit (Optional) 2 straps, 2 Screws
31	SX200Z4	O-Ring (2 Req.)
32	SP0740DE SP0710XR50 SP0715XR50	Selecta-Flo™ Valve 2" SKT Vari-Flo™ Valve 1 1/2" NPT Vari-Flo™ Valve 2" NPT (Optional)
33	SP0410X5025	Slide Valve 2" SKT (Optional)



*Label Pack: Includes all Warning and Operation Labels, Hang Tag, Wire Tie and Owner's Manual

USE ONLY HAYWARD GENUINE REPLACEMENT PARTS