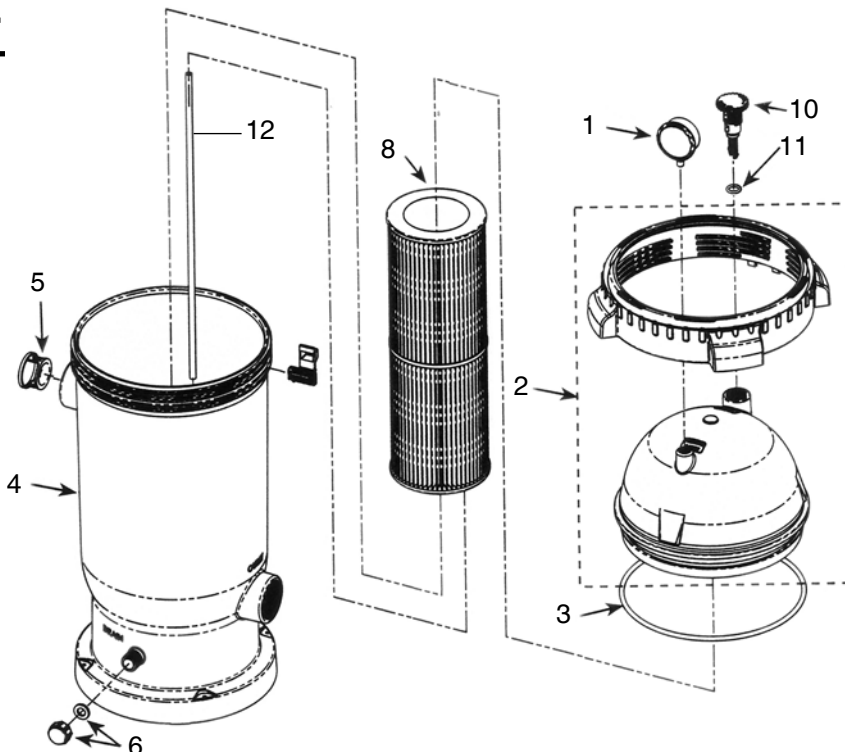


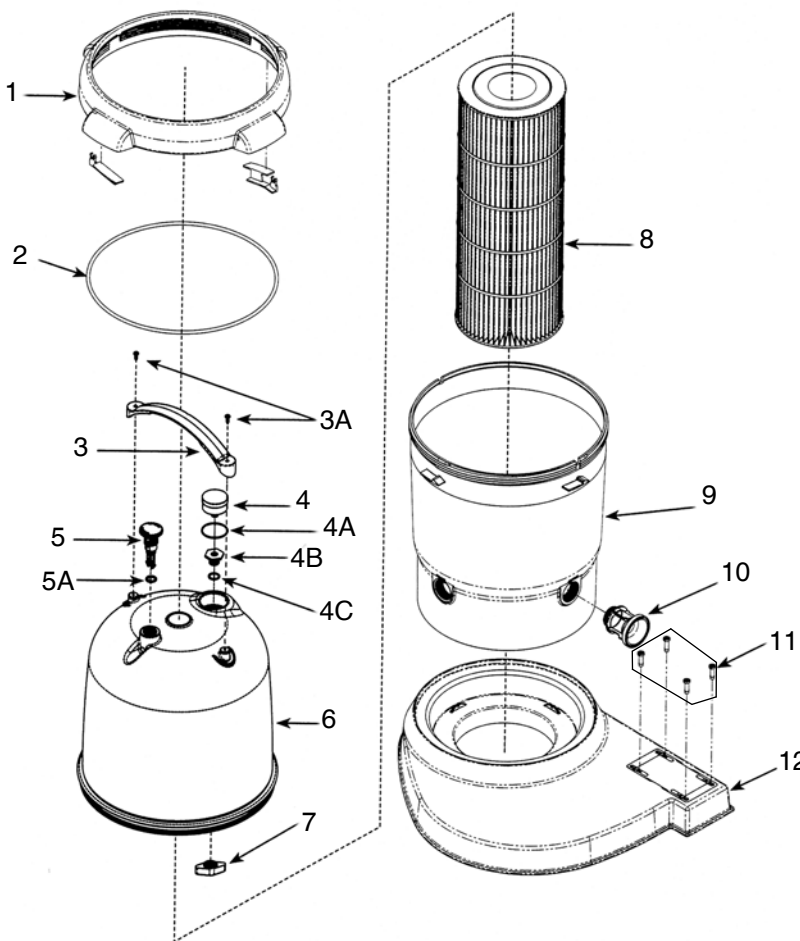
KEY	ITEM #	DESCRIPTION	MFG. #
1	4726-0	PRESSURE GAUGE	830-2000
2*	4744-010	SMALL FILTER LID & LOCK-RING ASSY 75 & 100 SQ. FT.	550-0211
2*	4744-043	MEDIUM FILTER LID & LOCK-RING ASSY 125 & 150 SQ. FT.	550-0231
2*	4744-011	LARGE FILTER LID & LOCK-RING ASSY 175 & 200 SQ. FT.	550-0221
3	4744-012	LID O-RING	805-0448
4**	4744-015	FILTER BODY	550-0200
5	4744-014	WATER DIVERTER	519-0220
6	4743-10	DRAIN CAP W/GASKET ASSY	550-0240
8	4900-347	75 SQ. FT. FILTER CARTRIDGE 17 3/8"	817-0075P
8	4663-10A	100 SQ. FT. FILTER CARTRIDGE 19 1/4"	817-0100P
8	4900-368	125 SQ. FT. FILTER CARTRIDGE 28 3/16"	817-0125P
8	4900-440	150 SQ. FT. FILTER CARTRIDGE 28 3/16"	817-0150P
8	4663-10C	175 SQ. FT. FILTER CARTRIDGE 29 5/16"	817-0175P
8	4744-001	200 SQ. FT. FILTER CARTRIDGE 28 3/16"OK	817-0200P
10	4744-017	AIR RELEASE VALVE W/O-RING	602-0201
11	4744-021	AIR RELEASE O-RING	805-0207
12	4744-044	PVC AIR BLEED TUBE 21"	872-4000E
12	4744-045	PVC AIR BLEED TUBE 25"	872-4000L
12	4744-046	PVC AIR BLEED TUBE 31 1/2"	872-4000F



\* INCLUDES KEYS 3 & 10  
 \*\* INCLUDES KEYS 4, 5, & 6

## WATERWAY CLEARWATER II CART FILTER

**NOTE - PARTS ARE NOT INTERCHANGEABLE WITH THE CLEARWATER FILTER**



KEY	ITEM #	DESCRIPTION	MFG. #
1	4744-040	FILTER NUT ASSEMBLY	550-2060
2	4744-022	LID O-RING	805-0460
3	4744-023	LID HANDLE	519-7601
3A	4744-024	SCREW	819-9002
4	4742-204	PRESSURE GAUGE	830-4000SS
4A	4744-025	AIR RELIEF O-RING	805-0136
4B	4744-026	GAUGE ADAPTOR	519-7431
4C	4744-027	GAUGE ADAPTOR O-RING	805-0116EP
5	4744-017	AIR RELIEF KNOB	602-0201
5A	4744-021	AIR RELIEF O-RING	805-0207
6	4744-042	LID ASSEMBLY SMALL, GRAY	519-7417
6	4744-041	LID ASSEMBLY LARGE, GRAY	519-7407
7	4744-030	GAUGE LOCK NUT	519-7441
8	4900-347	CART, 75 SQ FT, 8-15/16" DIA X 17-3/8" LONG	817-0075P
8	4663-10A	CART, 100 SQ FT, 8-15/16" DIA X 17-3/8" LONG	817-0100P
8	4902-171	CART, 125 SQ FT, 8-15/16" DIA X 23-5/16" LONG	817-0125N
8	4902-172	CART, 150 SQ FT, 8-15/16" DIA X 23-5/16" LONG	817-0150N
8	4900-441	CART, 200 SQ FT, 8-15/16" DIA X 23-5/16" LONG	817-0200N
9	4744-031	FILTER BODY, GRAY	515-7257
10	4742-70	DRAIN ASSEMBLY	500-5300
11	4744-054	SNAP PIN FASTENER, SET OF 4	419-7221
12	4744-034	CLEARWATER II BASE	672-7401
*	4744-055	LID REMOVAL TOOL	519-7470
*	4744-053	HOSE ADAPTOR, 1-1/2" MPT X HOSE	417-6241

\* LIDS INCLUDE HANDLE ASSEMBLY, PRESSURE GAUGE ASSEMBLY, & LID O-RING