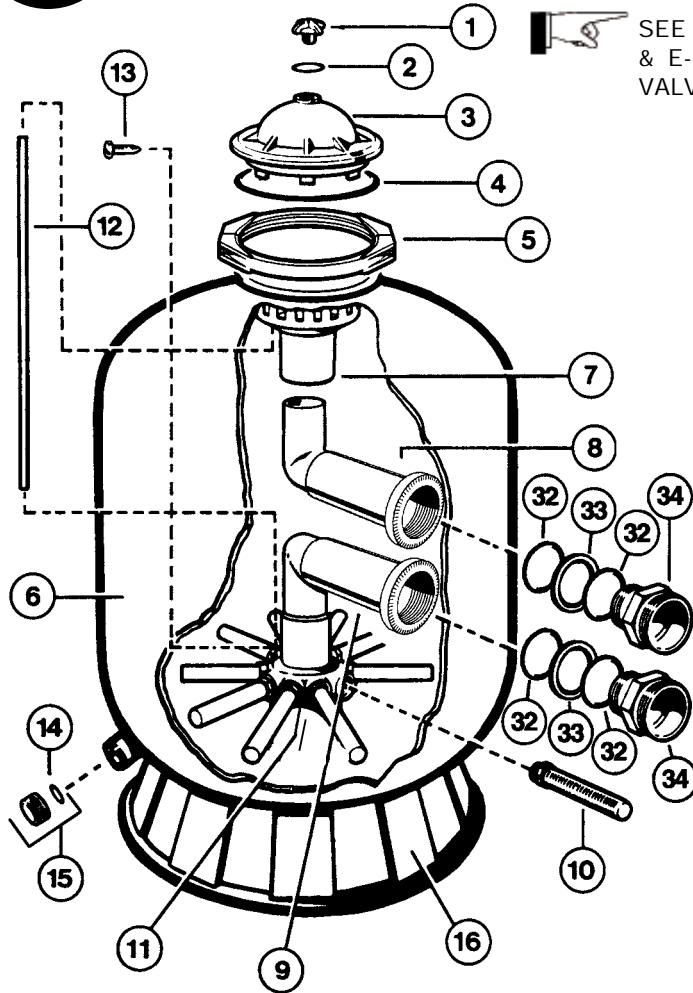
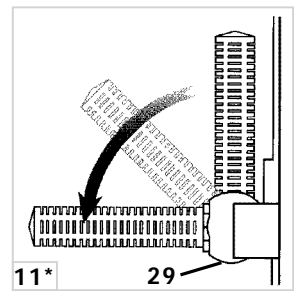
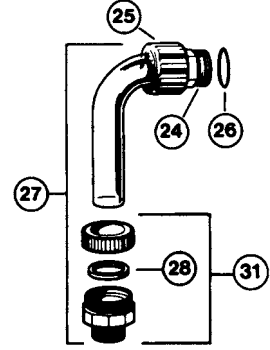
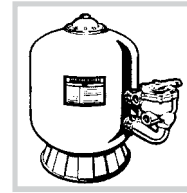
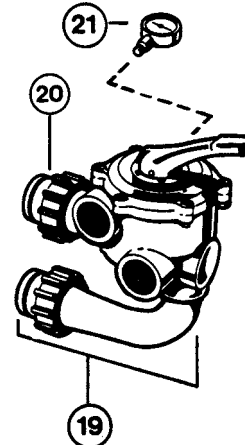
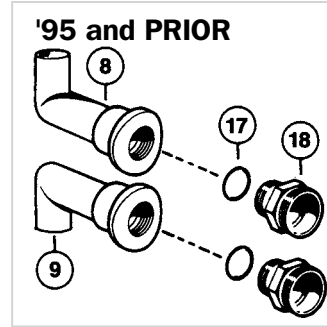


POLYMERIC SAND FILTER - MODELS S-210S, 220S, 244S, 310S, 360S



KEY ITEM #	DESCRIPTION	MFG. #
1	4800-01 CAP, AIR RELIEF	SX200G
2	4800-02 O-RING	SX200Z5
3	4802-23 DOME	SX244K
4	4822-04 O-RING	GMX600F
5	4802-03D CLAMP, FLANGE NORYL (S210S, 220S, 244S)	GMX600NM
5	4802-03C CLAMP, FLANGE (S-310S)	SX310N
6	4802-70 FILTER TANK, S-210S	
6	OBSOLETE OBSOLETE FILTER TANK, S-220S	
6	OBSOLETE OBSOLETE FILTER TANK	
7	4802-24A DIFFUSER, TOP	SX244G
7	4800-11 DIFFUSER, TOP (S-310S '93 PRIOR)	SX200L
8	OBSOLETE OBSOLETE ELBOW ASSY, TOP (S-210S '95 & PRIOR)	SX210CD
8	OBSOLETE OBSOLETE ELBOW ASSY, TOP (S-220S '95 & PRIOR)	SX220CD1
8	OBSOLETE OBSOLETE ELBOW ASSY (S-244S '95 & PRIOR)	SX244CD1
8	OBSOLETE OBSOLETE ELBOW ASSY, TOP (S-310S '95 & PRIOR)	SX310CD1
8	4802-27J ELBOW ASSY, TOP (S-210S AFTER '96)	SX210CD1FW
8	4802-27L ELBOW ASSY, TOP (S-244S AFTER '96)	SX244CD1FW
8	REPLACE NLA ELBOW ASSY REP W/4802-28M	SX310CD1FW
9	OBSOLETE OBSOLETE ELBOW PRIOR TO '95, S-220-S	SX210-CD-2
9	OBSOLETE OBSOLETE ELBOW PRIOR TO '95, S-210-S	SX220-CD-2
9	OBSOLETE OBSOLETE ELBOW PRIOR TO '95, S-244-S	SX244-CD-2
9	4802-28E ELBOW ASSY, BOTTOM (S-310S '95 & PRIOR)	SX310-CD-2
9	4802-28J ELBOW ASSY, BOTTOM (S-210S AFTER '96)	SX210CD2FW
9	4802-28H ELBOW ASSY, BOTTOM (S-244S AFTER '96)	SX244CD2FW
9	4802-28M ELBOW ASSY, BOTTOM (S-310S AFTER '96)	SX310CD2FW
10	4800-15 LATERAL OLD THREADED STYLE 4 3/4"	SX200Q
10	4800-30 LATERAL NEW PIVOT STYLE 5"	SX200QN
10	4800-15A LATERAL OLD THREADED STYLE 6 7/8"	SX240D
10	4800-31 LATERAL NEW PIVOT STYLE 7 3/16"	SX240DN
10	4802-05C LATERAL OLD THREADED STYLE (S-310S) 9 3/8"	SX310HA
10	4800-32 LATERAL NEW PIVOT STYLE 9 1/4"	SX310HAN

SEE PAGES E-11
& E-12 FOR
VALVE PARTS



KEY ITEM #	DESCRIPTION	MFG. #
11	REPLACE NLA ORIGINAL LATERAL HOLDER ASSY (USED WITH NON FOLDING LATERAL STYLE (ALL SIZES) REP WITH FOLDING LATERAL HOLDER ASSY 4800-44, 45, 46, & 47	SX240MA
11*	4800-47 FOLDING LATERAL HOLDER ASSY, S210S	SX242MA
11*	4800-44 FOLDING LATERAL HOLDER ASSY, S220S & S244S	SX242MA1
11*	4800-46 FOLDING LATERAL HOLDER ASSY S310S	SX242MA2
11*	4800-45 FOLDING LATERAL HOLDER ASSY S-360S	SX242MA3
11*	OBSOLETE OBSOLETE LATERAL PIVOT ONLY	SX202P
12	4802-29 TUBE, AIR (S-210S)	CX3000Z2
12	4802-29A TUBE, AIR (S-220S)	SX220Z1
12	4802-29B TUBE, AIR (S-244S)	CX1100Z4
12	4800-09 TUBE, AIR (S-310S)	SX200Z1
13	4800-10 SCREW, AIR TUBE LOCK	SX200Z2
14	4802-08 GASKET, DRAIN CAP	SX180G
15	4802-09B CAP & GASKET	SX180HG
16	4800-19 STAND, FILTER SUPPORT (S-210S,220S,244S)	SX200J
16	4802-33 STAND, FILTER SUPPORT (S-310S)	SX310J
17	4600-4492 O-RING	SX220Z3
18	OBSOLETE OBSOLETE FITTING, BULKHEAD (1995 & PRIOR)	DEX360F
19	4802-01D VALVE ASSY., 1 1/2" WITH GAUGE	SP710X62
19	4802-01F VALVE ASSY., 2" WITH GAUGE	SP715X62
20	4800-27 O-RING, VALVE	SX200Z4
21	4726-0 GAUGE, PRESSURE 0-60 1/4" NPT	EC2270861
24	4800-36 UNION, BALL END	SPX1480A
25	4800-37 NUT, UNION	SPX1480C
26	5056-11 O-RING	SPX1425Z6
27	4800-39 ELBOW, UNION WITH O-RING	SPX1485B3
28	4800-42 GASKET, COMPRESSION	SPX1485G
31	4800-43 FITTING, COMPRESSION ASSEMBLY	SPX1485DA
32	4802-34A O-RING	SX360Z1
33	4802-34B SPACER, O-RING	SX360E
34	OBSOLETE OBSOLETE FITTING PRIOR TO '95	SX210F
34	4802-45 FITTING, BULKHEAD FOR 244S AFTER '96	SX244P

* THESE ITEMS ARE THE NEWER FOLDING UMBRELLA LATERAL ASSEMBLIES WITH PIVOT STYLE LATERALS.