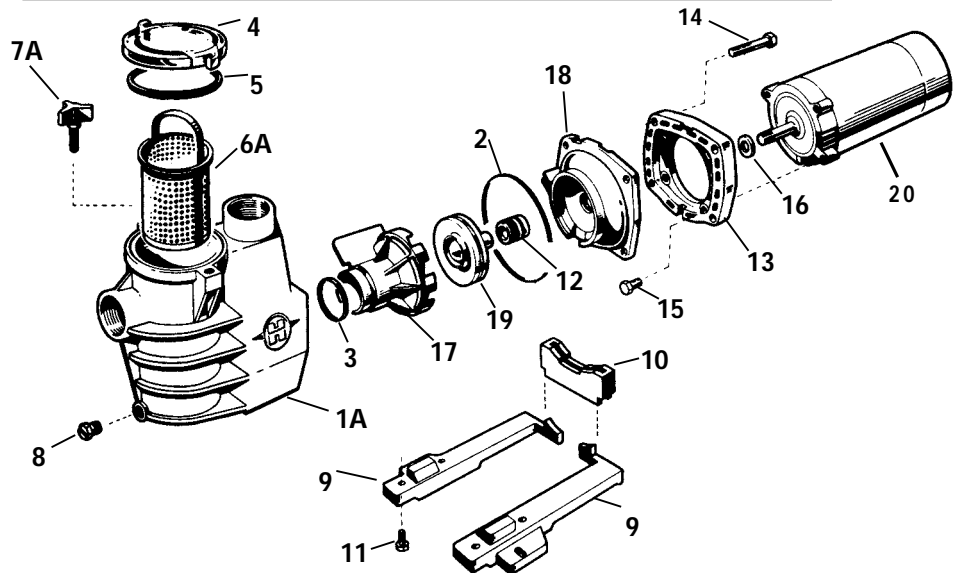
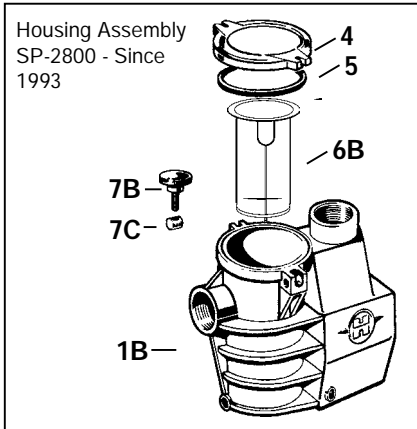
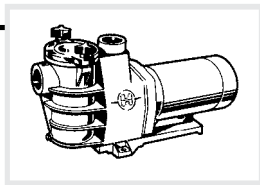


1800 and 2800 MODELS

SP-1800 MFG. PRIOR TO JAN. 1st 1984, SP-2800 MFG. AFTER JAN. 1st 1984.



KEY	ITEM #	DESCRIPTION	MFG. #
**1A	REPLACE	NLA HOUSING REP W/5110-08C	SPX1800-AA
1B	5110-08C	PUMP HOUSING, STRAINER (AFTER '95)	SPX2800-AA
2	5110-12	GASKET, HOUSING	SPX1600-T
3	5110-08	GASKET, DIFFUSER	SPX1600-R
4	5110-03A	COVER, STRAINER-FITS ALL MODELS	SPX1250-LA
4	5110-032	COVER FOR BIGUANIDE SANITIZERS	SPX1250-LAB
5	5110-04A	GASKET, STRAINER COVER	SPX125-T
6A	5111-19	BASKET (1800 MODELS)	SPX1250-RA
6B	5111-19B	BASKET, (2800 MODELS)	SPX2800-M
7A	5110-01A	KNOB, HAND (BEFORE '95)	SPX1250-Z-4
7B	REPLACE	NLA HAND KNOB REP W/ 5110-62	SPX1600-P
7C	REPLACE	NLA NUT, SWIVEL REP W/5110-62	SPX1600-N
8	6761-0	PLUG, POLY, 1/4" MPT	SPX1700-FG
9	5110-17A	FEET, MOTOR MOUNTING	SPX1600-GJ

KEY	ITEM #	DESCRIPTION	MFG. #
10	REPLACE	NLA LEG ADAPTER REP W/5110-17A	SPX1600-Q
11	OBSOLETE	OBSOLETE SCREW	SPX1600-Z-5-4
12	5110-11	SEAL, SHAFT	SPX1600-Z-2
13	REPLACE	NLA PLATE, MOTOR REP W/5110-63	SPX1600-F
14	5110-15	SCREW, HOUSING CAP	SPX1600-Z-4
15	5110-16	SCREW, MOTOR CAP	SPX125-Z-4-4
16	5110-20	SLINGER, WATER	SPX125-F
17		DIFFUSER, SEE CHART BELOW	
18	5110-13B	PLATE, SEAL SP1800X-HI HEAD	SPX1611-E
18	REPLACE	NLA PLATE, SEAL REP W/5110-63	SPX2600-E
*	5110-30	2-SPEED MOTOR SWITCH	ECX13252
19		IMPELLER, SEE CHART BELOW	
20	<b>VARIOUS</b>	<b>MOTORS - 56J THREADED FRONT OF SECT G</b>	
*	5110-22	REPAIR TAP SET PUMP HOUSING	SP1600-TAP

\* NOT SHOWN

\*\*LIMITED QUANTITY, WHEN OUT, REPLACE WITH KEYS 1A, 6A, (2) 7A, (2) 7B



## IMPELLER & DIFFUSER SELECTION CHART

DIFFUSERS AND IMPELLERS FOR THE 1800 SERIES ARE NO LONGER BEING MADE. THESE ARE AVAILABLE AS A LIMITED QUANTITY ITEM ONLY.

THESE PARTS MAY BE REPLACED WITH A DRIVE TRAIN UPGRADE KIT. THE UPGRADE KITS INCLUDE: IMPELLER, DIFFUSER, SEAL PLATE, HOUSING GASKET, AND DIFFUSER GASKET.

MODEL	*H.P.	HEAD	IMPELLER		DIFFUSER		DRIVE TRAIN KIT	
			ITEM #	MFG. #	ITEM #	MFG. #	ITEM #	MFG. #
1800X5	1/2	MED.	OBSOLETE	SPX1600-C	OBSOLETE	SPX1800-B	OBSOLETE	SPX2800CKIT
1805X7	3/4	MED	NLA	SPX1605-C	5110-09BA	SPX1805-B	5110-56	SPX2805CKIT
1807X10	1	MED	NLA	SPX1607-C	NLA	SPX1807-B	5110-57	SPX2807CKIT
1808X10	1	HIGH	NLA	SPX1608-C	5110-09CC	SPX1808-B	5110-57	SPX2807CKIT
1810X15	1 1/2	MED.	NLA	SPX1610-C	NLA	SPX1810-B	5110-58	SPX2810CKIT
1811X15	1 1/2	HIGH	NLA	SPX1611-C	5110-09CC	SPX1808-B	5110-58	SPX2810CKIT
1815X20	2	HIGH	5110-10EB	SPX1616-C	NLA	SPX1816-B	5110-59	SPX2815CKIT
2800X5	1/2	HIGH	5110-10A	SPX2600-C	5110-09AC	SPX2800-B	OBSOLETE	SPX2800CKIT
2805X7	3/4	HIGH	5110-10BA	SPX2605-C	5110-09AC	SPX2800-B	5110-56	SPX2805CKIT
2807X10	1	HIGH	5110-10CA	SPX2607-C	NLA	SPX2800-B	5110-57	SPX2807CKIT
2810X15	1 1/2	HIGH	5110-10DA	SPX2610-C	5110-09AC	SPX2800-B	5110-58	SPX2810CKIT
2815X20	2	HIGH	5110-10EA	SPX2615-C	5110-09AC	SPX2800-B	5110-59	SPX2815CKIT

\*ALL HP's are Up rated