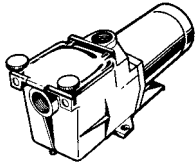


## SERIES 1600, 1600X, 2600, 2600X MODELS

⌚ SP-1600 MFG. PRIOR TO JAN. 1ST 1984, SP-2600 MFG. AFTER JAN. 1ST 1984.  
ALSO LESLIE'S POWERMAXX (SP2600 SERIES)



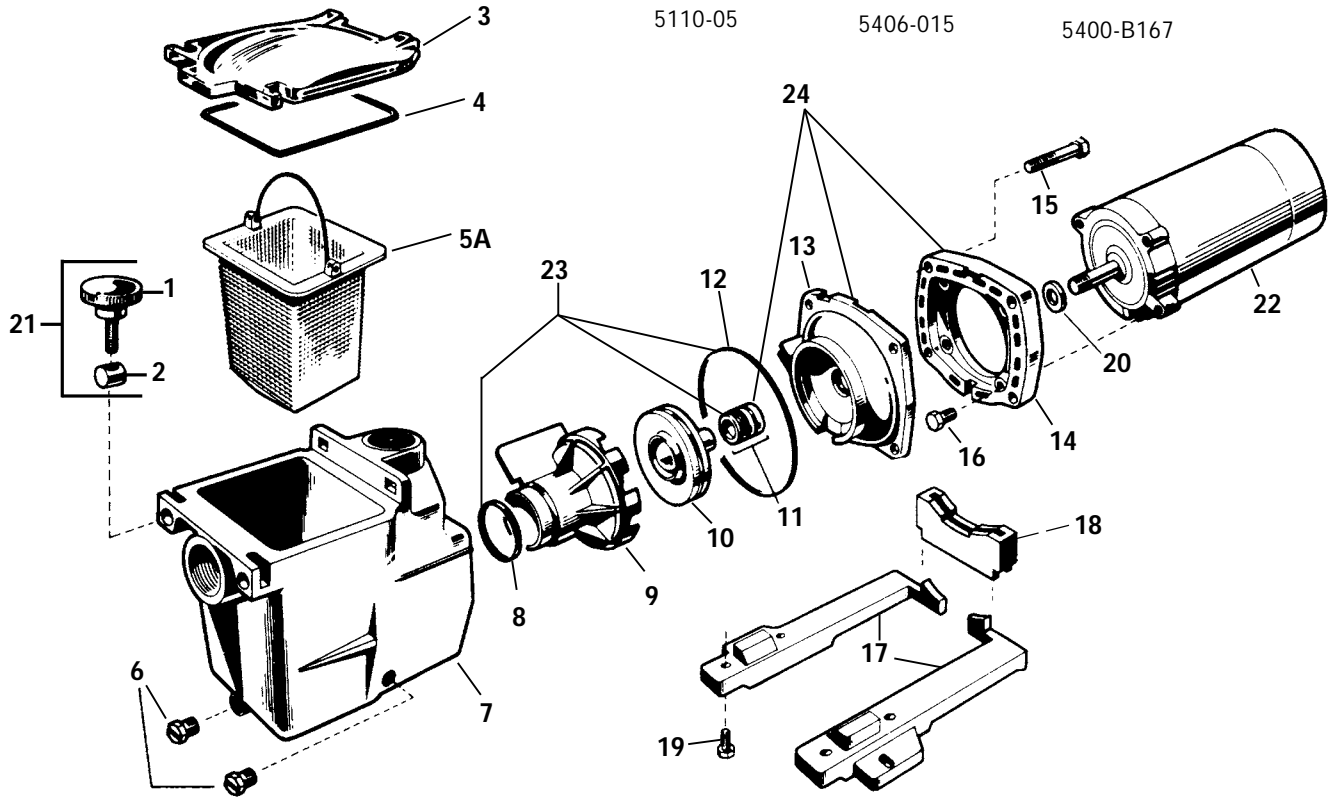
5110-05



5406-015



5400-B167



KEY	ITEM #	DESCRIPTION	MFG. #
1	REPLACE	NLA KNOB, HAND REP W/5110-62	SPX1600-P
2	REPLACE	NLA SWIVEL NUT REP W/5110-62	SPX1600-N
3	5110-03	COVER, STRAINER	SPX1600-D
4	5110-04	GASKET, STRAINER COVER	SPX1600-S
5A	5400-B167	BASKET	B167
5B	5406-015	SUPER HEAVY DUTY BASKET	V60-500
5C	5110-05	OEM BASKET	SPX1600M
6	6761A	PLUG, 1/4" MPT W/ GASKET	SPX1700-FG
7	5110-07A	HOUSING, STRAINER 1 1/2"	SPX1600-AA
7	5110-07B	HOUSING, STRAINER 2"	SPX1620-AA
8	5110-08	GASKET, DIFFUSER	SPX1600-R
9		DIFFUSER (SEE CHART ON NEXT PAGE)	
10		IMPELLER (SEE CHART ON NEXT PAGE)	
11	5110-11	SEAL, SHAFT	SPX1600-Z-2
12	5110-12	GASKET, HOUSING	SPX1600-T
13		SEAL PLATE (SEE CHART ON NEXT PAGE)	
14	REPLACE	NLA PLATE REP W/5110-63	SPX1600-F
15	5110-15	SCREW, HOUSING CAP	SPX1600-Z-4
16	5110-16	SCREW, MOTOR CAP SINGLE	SPX125-Z-4-4

KEY	ITEM #	DESCRIPTION	MFG. #
17	5110-17A	MOUNTING FOOT W/ ADAPTOR & SCREWS	SPX2600-G1
18	REPLACE	NLA LEG ADAPTER REP W/5110-17A	SPX1600-Q
19	5112-015	CAP SCREW, SET OF 2	SPX1600-Z-5-4
20	5110-20	SLINGER, WATER	SPX125-F
	5110-30	2-SPEED MOTOR SWITCH	ECX13252
21	5110-62	HAND KNOB KIT	SPX1600PN
22	<b>VARIOUS</b>	<b>MOTORS - 56J THREADED FRONT OF SECT G</b>	
23	5110-25	SEAL ASSY KIT, INCLUDES KEYS 8,11, & 12	SPX1600TRA
24	5110-63	KIT SEAL PLATE, MOTOR PLATE, & SHAFT SEAL	SPX1600SKIT1
*	5110-22	REPAIR TAP SET, PUMP HOUSING	SP1600-TAP
*		NOT SHOWN	






SERIES 1600, 1600X, 2600, 2600X MODELS

**SP-1600, 1600X SERIES**

🕒 SP-1600 MFG. PRIOR TO JAN. 1ST 1984

DIFFUSERS & IMPELLERS FOR THE SP-1600, 1600X SERIES ARE NO LONGER BEING MADE. THESE ARE AVAILABLE AS A LIMITED QUANTITY ITEM. THESE PARTS MAY BE REPLACED WITH A DRIVE TRAIN UPGRADE KIT, WHICH WILL UPGRADE THE PUMP TO THE SP-2600, 2600X SERIES. UPGRADE KITS INCLUDE: IMPELLER, DIFFUSER, SEAL PLATE, HOUSING GASKET, DIFFUSER GASKET, AND SEAL ASSEMBLY.

SP-1600 FULL RATED H.P. (MODELS)	SP-1600X UP RATED H.P. (MODELS)	HEAD	 DIFFUSER OPTIMUS NO. MFG. #	 IMPELLER OPTIMUS NO. MFG. #	 SEAL PLATE OPTIMUS NO. MFG. #	DRIVE TRAIN UPGRADE KIT ITEM # MFG. #
	1/2 (SP-1600X5)	MED.	5110-09 (SPX1600-B)	REP W/5110-50 (SPX1600-C)	REP W/5110-50 (SPX1600-F)	5110-50 (SPX2600CKIT)
1/2 (SP-1605)	3/4 (SP-1605X7)	MED	REP W/5110-51 (SPX1605-B)	REP W/5110-51 (SPX1605-C)	REP W/5110-51 (SPX1600-F)	5110-51 (SPX2605CKIT)
3/4 (SP-1607)	1 (SP-1607X10)	MED	5110-09C (SPX1607-B)	REP W/5110-52 (SPX1607-C)	REP W/5110-52 (SPX1600-F)	5110-52 (SPX2607CKIT)
3/4 (SP-1608)	1 (SP-1608X10)	HIGH	REP W/5110-52 (SPX1608-B)	REP W/5110-52 (SPX1608-C)	5110-13B (SPX1611-F)	5110-52 (SPX2607CKIT)
1 (SP-1610)	1 1/2 (SP-1610X15)	MED.	REP W/5110-53 (SPX1610-B)	REP W/5110-53 (SPX1610-C)	REP W/5110-53 (SPX1600-F)	5110-53 (SPX2610CKIT)
1 (SP-1611)	1 1/2 (SP-1611X15)	HIGH	5110-09CB (SPX1608-B)	REP W/5110-53 (SPX1611-C)	5110-13B (SPX1611-F)	5110-53 (SPX2610CKIT)
1 1/2 (SP-1615)	2 (SP-1615X20)	MED.	5110-09E (SPX1615-B)	REP W/5110-54 (SPX1615-C)	REP W/5110-54 (SPX1600-F)	5110-54 (SPX2615CKIT)
1 1/2 (SP-1616)	2 (SP-1616X20)	HIGH	5110-09EA (SPX1616-B)	REP W/5110-54 (SPX1616-C)	5110-13B (SPX1611-F)	5110-54 (SPX2615CKIT)
2 (SP-1621)	2 1/2 (SP-1621X25)	HIGH	5110-09EA (SPX1616-B)	5110-10F (SPX1621-C)	5110-13B (SPX1611-F)	5110-54 (SPX2615CKIT)

**SP-2600, 2600X SERIES**

🕒 SP-2600 MFG. AFTER JAN. 1ST 1984

SP-2600 FULL RATED H.P. (MODELS)	SP-2600X UP RATED H.P. (MODELS)	DIFFUSER OUR ITEM NO. (MFG. NO.)	IMPELLER OUR ITEM NO. (MFG. NO.)	SEAL PLATE OUR ITEM NO. (MFG. NO.)
1/3 (SP-2600)	1/2 (SP-2600X5)	5110-09A (SP-2600-B)	5110-10A (SP-2600-C)	REP W/5110-63 (SP-2600-E)
1/2 (SP-2605)	3/4 (SP-2605X7)	5110-09A (SP-2600-B)	5110-10BA (SP-2605-C)	REP W/5110-63 (SP-2600-F)
3/4 (SP-2607)	1 (SP-2607X10)	5110-09A (SP-2600-B)	5110-10CA (SP-2607-C)	REP W/5110-63 (SP-2600-E)
1 (SP-2610)	1 1/2 (SP-2610X15)	5110-09A (SP-2600-B)	5110-10DA (SP-2610-C)	REP W/5110-63 (SP-2600-F)
1 1/2 (SP-2615)	2 (SP-2615X20)	5110-09A (SP-2600-B)	5110-10EA (SP-2615 C)	REP W/5110-63 (SP-2600-E)
2 (SP-2621)	2 1/2 (SP-2621X25)	5110-09EA (SP-1616-B)	5110-10F (SP-1621-C)	5110-13B (SP-1611-F)