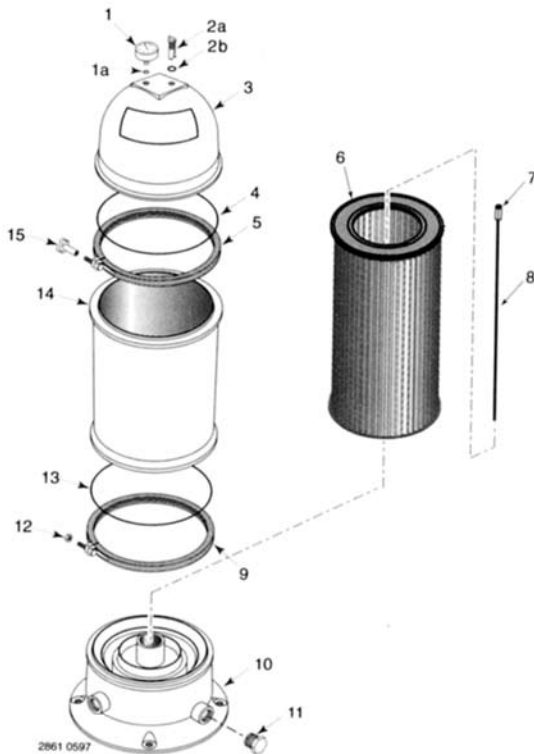


# STA-RITE POSI-FLO II CARTRIDGE

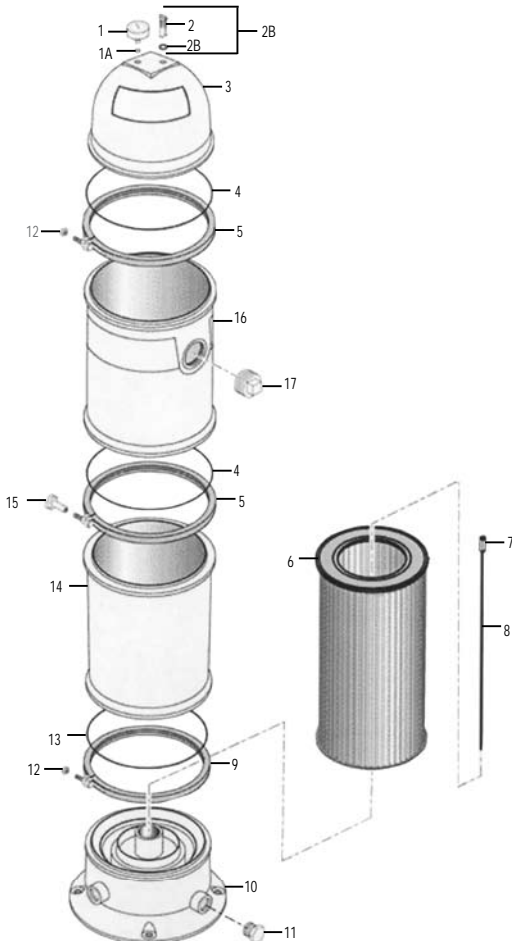
GLASS-REINFORCED THERMOPLASTIC FILTER MODELS: PTM50, 70, 100

CARTRIDGE DIAMETER IS 8 11/16"



KEY	ITEM #	DESCRIPTION	MFG. #
1	4680-50	PRESSURE GAUGE	15060-0000T
1A	9239-01A	SCREEN	WC78-72D
2A	4686-01	AIR RELIEF WITH O-RING	25010-0200
2B	3262-08	O-RING	U9-359
3	4686-02	LID ASSY, PTM50, 70	25010-9201
3	4686-02A	LID ASSY, PTM100	25010-9202
4	4680-72	O-RING	31935-0001
5	4686-07	CLAMP WITHOUT KNOB	25010-9101
6	4900-145	CARTRIDGE, PTM50, 13-5/16" LONG	WC108-56S2X
6	4900-146	CARTRIDGE, PTM70, 18-3/16" LONG	WC108-57S2X
6	4900-147	CARTRIDGE, PTM100, 25-11/16" LONG	WC108-58S2X
7	REPLACE	NLA AIR BLEED FILTER REP W/4681-01	WC8-35
8	4686-06	AIR BLEED TUBE, PTM50, 70, 21 7/16" LONG	25010-0007
8	4686-06A	AIR BLEED TUBE, PTM100, 29 3/4" LONG	25010-0008
9	4686-05	CLAMP WITHOUT NUT	25010-9100
10	9239-07	BASE WITH PIPE PLUGS	WC104-78P
11	9239-13AT	PIPE PLUG	WC78-38T
12	9239-10	CLAMP NUT	WC36-1
13	9239-04	O-RING	WC9-3
14	4686-04	TANK BODY	25010-0001
15	5056-30	CLAMP KNOB	WC36-22

## MODEL PTM 135



CARTRIDGE DIAMETER IS 8 11/16"

KEY	ITEM #	DESCRIPTION	MFG. #
1	4680-50	PRESSURE GAUGE	15060-0000T
1A	9239-01A	SCREEN	WC78-72D
2A	4686-01	AIR RELIEF WITH O-RING	25010-0200
2B	3262-08	O-RING	U9-359
3	4686-02	LID ASSY, PTM135	25010-9201
4	REPLACE	NLA O-RING REP W/4680-72	31935-0001
5	4686-07	CLAMP WITHOUT KNOB	25010-9101
6	4900-209	CARTRIDGE, 31 1/4" LONG	WC108-70S2X
7	REPLACE	NLA AIR BLEED FILTER REP W/4681-01	WC8-35
8	4686-11	AIR BLEED TUBE	25010-0010
9	4686-05	CLAMP WITHOUT NUT	25010-9100
10	9239-07	BASE WITH PIPE PLUGS	WC104-78P
11	9239-13AT	PIPE PLUG	WC78-38T
12	9239-10	CLAMP NUT	WC36-1
13	9239-04	O-RING	WC9-3
14	4686-04	TANK BODY	25010-0001
15	5056-30	CLAMP KNOB	WC36-22
16	4686-10	UPPER TANK BODY	25005-0001
17	7137-0	PLUG	36305-5030T