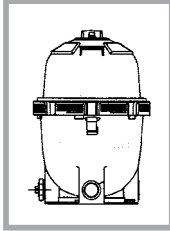


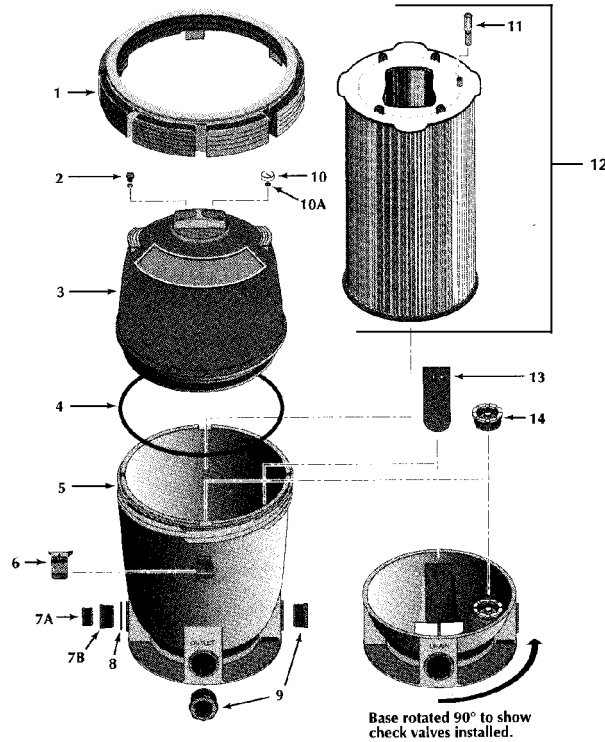
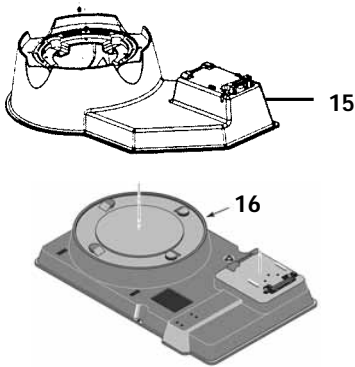
## MODELS PLD50, 70 - MODULAR DE & ABG SYSTEM



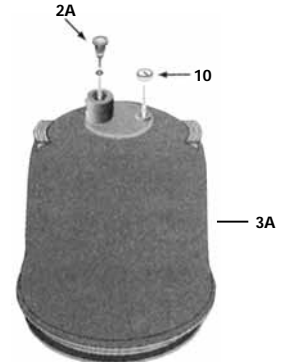
FREE STANDING



ABG SYSTEMS



Base rotated 90° to show check valves installed.



KEY	ITEM #	DESCRIPTION	MFG. #
	1	4686-32 POSI LOK RING - 17 1/2" OD	27001-0054S
	2	4686-01 AIR RELEASE VALVE ASSY	25010-0200
	2A	4680-78 AIR RELIEF -PLM300	24206-0103S
	3	4686-33 TANK SHELL UPPER HALF	27001-0020S
	3A	4686-37 TANK SHELL - PLM300 ONLY	27001-0030S
	4	4686-21 CORD RING (3-97 TO CURRENT)	27001-0061S
	4	4686-22 CORD RING (PRE 3-97)	27001-0060S
	5	4686-34 TANK SHELL LOWER HALF	27001-0009S
	6	4683-11 SAFETY LATCH FOR RING	27001-0051
	7A	4682-20 PLUG, 1-1/2" NPT	27001-0022
	7B	4683-08 ADAPTER FITTING PRIOR TO 10/03	24900-0509
	7B	4686-92 ADAPTER FITTING 10/03 TO CURRENT	24900-0510
	8	4620-529 O-RING	35505-1424
	9	7194-0 2" x 1-1/2" REDUCER	U78-820P
	10	4680-50 PRESSURE GAUGE	15060-0000T
	10A	9239-01A PRESSURE GAUGE SCREEN	WC8-72D
	11	4687-90 AIR BLEED ASSY (PLM)	24800-0121
	11	4687-18 AIR BLEED ASSY (PLD)	24800-0120

KEY	ITEM #	DESCRIPTION	MFG. #
	12	4686-20 FILTER MODULE (PLM100)	27002-0100S
	12	4686-25 FILTER MODULE (PLM 125)	27002-0125S
	12	4686-30 FILTER MODULE (PLM150)	27002-0150S
	12	4686-26 FILTER MODULE (PLM 175)	27002-0175S
	12	4686-27 FILTER MODULE (PLM 200)	27002-0200S
	12	4686-28 FILTER MODULE (PLM300)	27002-0300S
	12	4686-31 DE FILTER MODULE (PLD50)	27002-0030S
	12	4686-36 DE FILTER MODULE (PLD70)	27002-0036S
	13	4686-51 FLAPPER VALVE (PLD50, 70)	27001-0011
	14	4686-90 SPRING CHECK VALVE	27001-0130S
	15	4680-61 SYSTEM BASE 2009-CURRENT	155331P
	16	4680-65 SYSTEM BASE PRIOR TO 2009	27001-0031
	*	4687-93 SYSTEM PUMP TO FILTER CONNECTOR ASSY 2009-CURRENT	155403
	*	4687-92 SYSTEM PUMP TO FILTER CONNECTOR ASSY WITH O-RING PRIOR TO 2009	27001-0120
	*	4861-91 SPRING CHECK VALVE GASKET	33455-1050
	* NOT SHOWN		