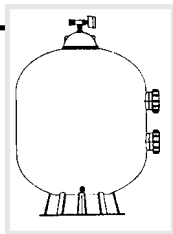
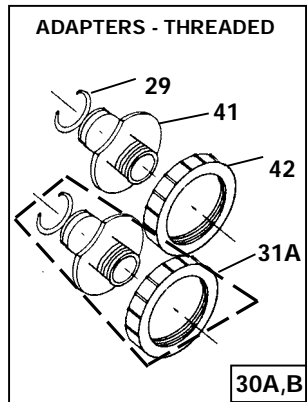
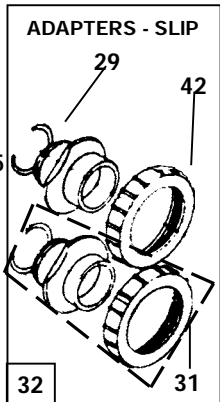
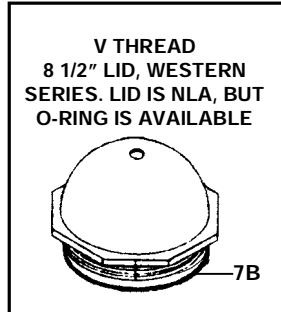
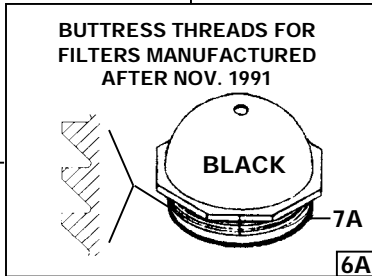
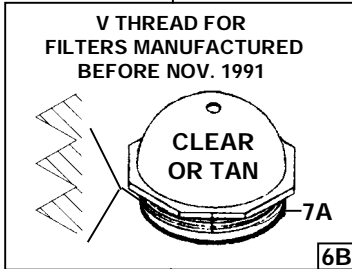
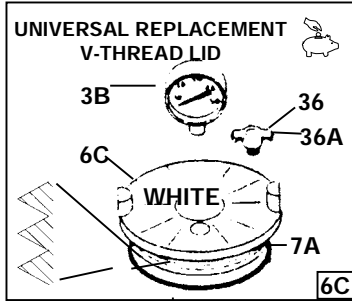
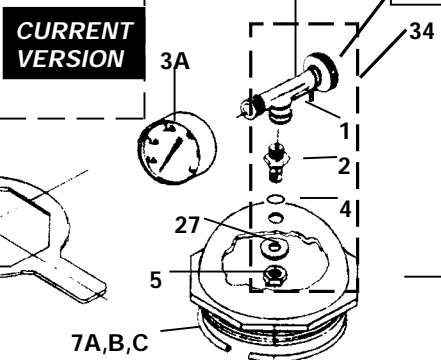
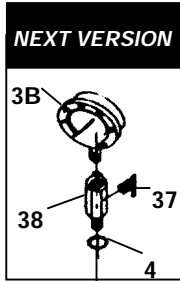
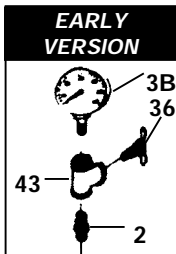


SIDE MOUNT VALVE MODELS TR-40, 50, 60, 100, 100HD, 140

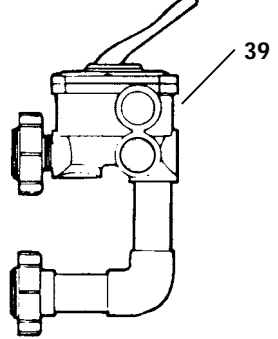


SOLD AS TRITON PREVIOUSLY  
 Sold Under Various Brands including Purex SFSM, Helder Pureflo, Fox, Poolquip Western Series.

- ⌚ BEFORE NOV. '91  
 COLOR OF TANK  
 TURQUOISE OR BROWN
- ⌚ AFTER NOV. '91  
 COLOR OF TANK  
 BLACK

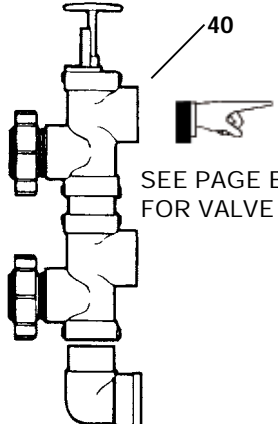


**MULTIPOINT VALVE KIT**

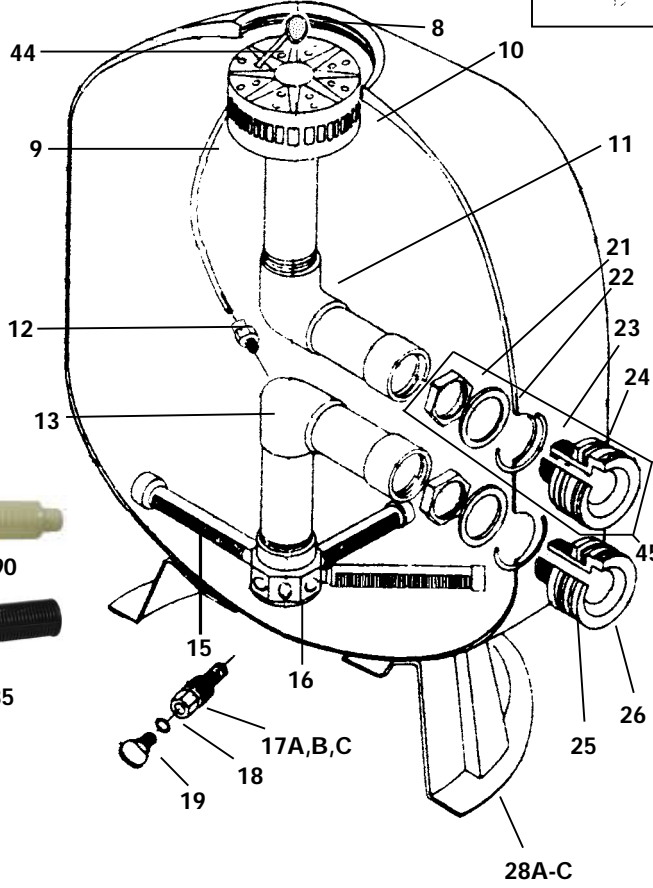
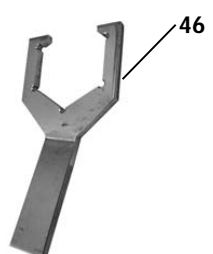


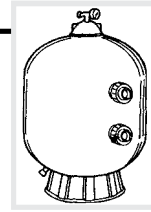
VARIOUS VALVES USED  
 SEE SECTION E PAGES  
 E-20, E-22, & E-24

**SLIDE VALVE KIT**



SEE PAGE E-20  
 FOR VALVE PARTS





KEY	ITEM #	DESCRIPTION	MFG. #
1	4600-4689	BLEEDER, AIR/TEE ASSEMBLY	154689
2	4600-4700	ADAPTER, TEE (BRASS)	154700
3A	4727-1	PRESSURE GAUGE W/ INDICATOR	190059
3B	4726-0	GAUGE, PRESSURE (BOTTOM MOUNT)	152047
4	4600-4661	O-RING, BLEEDER ADAPTER	154661
5	6932-0	NUT, 3/8"	154664
6	4600-4500	8 1/2" BUTTRESS CLOSURE FOR TR100 & TR140 (SEE NEXT PAGE KEY 8) AFTER 10-1-01	154575
6A	4600-4570	LID, CLOSURE 6" BUTTRESS-BLACK	154570
6B	4600-4678	LID, CLOSURE 6" V THREAD TAN (CLEAR IS NO LONGER AVAILABLE)	154559
6C	REPLACE	NLA LID REP W/ 4600-4697 (KEY 33)	154696
7A	4600-4495	O-RING	154493
7B	4620-145	O-RING, LID - 8 1/2" (WESTERN SERIES)	--
7C	4600-2509	SQUARE RING, 8 1/2" BUTTRESS CLOSURE	152509
8	4600-4578	STRAINER, AIR RELIEF, BEFORE 11/99	154578
8	4601-0035	STRAINER, AIR RELIEF, AFTER 11/99	150035
9	4600-4435	AIR TUBE TR40, 1/4" OD	154435
9	4600-0039	AIR TUBE TR40, 3/8" OD	150039
9	4600-4436	AIR TUBE TR50/60, 1/4" OD	154436
9	4600-0040	AIR TUBE TR50/60, 3/8" OD	150040
9	4600-4437	AIR TUBE TR100, 1/4" OD	154437
9	4600-0041	AIR TUBE TR100, 3/8" OD	150041
9	4600-4438	AIR TUBE TR140, 1/4" OD	154438
9	4600-0042	AIR TUBE TR140, 3/8" OD	150042
10	4600-4598	DIFFUSER ASSEMBLY (TR-40/50)	154598
10	4600-4599	DIFFUSER ASSEMBLY (TR-60)	154599
10	4600-4462	DIFFUSER ASSEMBLY (TR-100 & HD)	154462
10	4600-4906	DIFFUSER ASSEMBLY (TR-140)	154906
11	4600-4803	PIPING ASSEMBLY, UPPER(TR-40)	154803
11	4600-6814	PIPING ASSEMBLY, UPPER (TR-50)	156814
11	4600-4533	PIPING ASSEMBLY, UPPER(TR-60)	154533
11	4600-4426	PIPING ASSEMBLY, UPPER(TR-100 & HD)	154426
11	4600-4500	PIPING ASSEMBLY, UPPER(TR-140)	154500
12	4600-4440	CONNECTOR, ORIGINAL, 1/8" MPT	154440
12	REPLACE	NLA CONNECTOR 2/89 TO 11/99 SEE NOTE 2 (1/4" OD TUBING)	155521
12	4601-0036	CONNECTOR, CURRENT 3/8" OD TUBING SEE NOTE 2	150036
13	4600-4801	PIPING ASSEMBLY, LOWER(TR-40)	154801
13	4600-6816	PIPING ASSEMBLY, LOWER (TR-50)	156816
13	4600-4805	PIPING ASSEMBLY, LOWER(TR-60) (PRIOR TO 6-07)	154805
13	4600-5284	CLEAR PRO/TR60 LOWER PIPING (AFTER 6-07)	155284
13	4600-4807	PIPING ASSEMBLY, LOWER(TR-100 & HD)	154807
13	4600-4489	PIPING ASSEMBLY, LOWER(TR-140)	154489
15	4600-2290	LATERAL, ASSEMBLY 6-11/16" (TR-40/50/60)	152290
15	4600-0085	LATERAL, 1/4 TURN TWIST LOCK TR-60 (AFTER 6-07)	150085
15	4600-2202	LATERAL, ASSEMBLY 9 1/8" (TR-100 & HD)	152202
15	OBSOLETE	OBSOLETE LATERAL, H.D. 6 1/2"	154543
15	4600-4540	LATERAL, (TR-140) 10 1/2"	154540
16	4600-4763	HUB ASSEMBLY (TR-40, 50, 60)	154763
16	4600-5753	HUB ASSEMBLY TR-60 TWIST LOCK (AFTER 6-07)	155753
16	4600-4453	HUB ASSEMBLY (TR-100HD,140)	154453
17A	4600-4698	DRAIN ASSEMBLY 3/4", LESS PLUG	154698
17B	4600-4685	DRAIN ASSEMBLY 1/2", LESS PLUG	154685
17C	4600-2220	SAND DRAIN, 2"	152220
18	3262-08	O-RING (USE W/ 4600-4699)	192115
18	4600-4492	O-RING THREADED CAP (USE WITH 4600-4871)	154492

KEY	ITEM #	DESCRIPTION	MFG. #
19	4600-4481	PLUG, PIPE, POLY 1/4" USED W/ #17A	154481
19	4600-4699	PLUG, DRAIN 1/4" - USED WITH KEY #17B	154699
19	4600-4871	THREADED CAP 1 1/2"	154871
20	4600-4512	WRENCH, LID PLASTIC, 6" CLOSURE	154512
20	4600-4510	WRENCH, LID ALUMINUM, 6" CLOSURE	154510
20	4600-4527	WRENCH, 8 1/2" CLOSURE	154527
21	4600-4412	LOCKNUT, INTERNAL 2"	154412
22	4600-4416	SPACER, INTERNAL 2"	154416
23	4600-4492	O-RING, BULKHEAD 2"	154492
24	4600-4408	WASHER, EXTERNAL 2"	154408
25	4600-4538	GASKET, BULKHEAD 2"	154538
26	4600-4405	BULKHEAD, FITTING 2"	154405
27	6982-0	WASHER, STAINLESS STEEL	154418
28A	4600-4926	FILTER BASE (TANK FOOT) TR40, TR50	154926
28B	4600-4596	FILTER BASE (TANK FOOT) TR-100, TR-140	154596
28C	4600-4520	FILTER BASE (TANK FOOT) TR-60	154520
29	4600-4494	O-RING, VALVE ADAPTER	274494
30A	4600-01	ADAPTOR KIT, 2" MPT (SET OF 2)	271092
30B	4600-02	ADAPTOR KIT, 1 1/2" MPT (SET OF 2)	271094
31A	4600-1092	ADAPTER, ASSY 2" MPT (EA)	271092
31A	4600-1094	ADAPTER, ASSY 1 1/2" MPT (EA)	271094
31	4600-1096	ADAPTER, ASSY 1 1/2" S X 2" SPGT (EA)	271096
32	4600-03	ADAPTOR KIT, 1 1/2" S X 2" SPGT (SET OF 2)	271096
33	4600-4697	KIT, CLOSURE 6IN V THREAD	154697
33	4600-4641	KIT, CLOSURE 6IN BUTTRESS THD	154641
33	4600-4856	KIT, CLOSURE 8 1/2" BUTTRESS THREAD	154856
34	4600-4687	BLEEDER, AIR FITTING PACKAGE	154687
35	4600-2515	BLEEDER WITH O-RING	272515
35A	4600-4693	O-RING, KNOB	154693
36	5054-10	DRAIN COCK, 1/4" NPT	154662
37	4600-4669	VALVE, AIR BLEEDER 1/8IN MPT	154669
38	REPLACE	NLA ADAPTER REP W/ 4600-4689	154668
39	4611-0	VALVE, MULTIPOINT KIT 1 1/2" (PRAHER)	SM1PP3
39	4612-0	VALVE, MULTIPOINT KIT 2" (PRAHER)	SM2PP3
39	4612A	VALVE, MULTIPOINT KIT, 2" (OEM)	261055
39	4614-0	VALVE KIT, HI FLOW, 2" SLIP (OEM)	261050
40	REPLACE	NLA VALVE, 2" PUSH-PULL REP W/4610-1	261165
41	4600-4651	ADAPTER, VALVE THD. 1 1/2"	274651
41	4600-4556	ADAPTER, VALVE 2" THREADED	274556
41	4600-4404	ADAPTER, VALVE 1 1/2" & 2" SLIP	274404
42	4600-4407	NUT, VALVE ADAPTER	274407
43	4600-4660	TEE, 1/4" BRASS FPT	154660
44	4600-4611	SPACER, AIR LINE (TR-40)	154611
44	4600-4612	SPACER, AIR LINE (TR -50/60)	154612
44	4600-4613	SPACER, AIR LINE (TR - 100 & HD)	154613
44	4600-4614	SPACER, AIR LINE (TR - 140)	154614
45	4600-4714	BULKHEAD KIT (INCLUDES KEYS 21 - 26)	154714
46	4600-1602	BULKHEAD WRENCH - METAL	151602

NOTE 2 - THE TRITON II AIR RELIEF TUBING CHANGED FROM 1/4" OD TO 3/8" OD 11/99  
BOTH CONNECTORS PUSH ON THE PIPING TABS & TWIST LOCK IN PLACE

CONNECTORS 155521 & 150036 ARE IDENTICAL EXCEPT FOR AIR TUBING HOLE SIZE  
TO REPLACE 155521 ORDER 4601-0036 PLUS #4601-0034 TO ADAPT TO OLDER  
1/4" TUBING